

### Features

Series:	T
Type:	20
Code:	07.225.043.11
Description:	T200810ENC12C12
Customer's code:	-
Colour:	Black

### Last drawing

Index:	-	Date:	-
--------	---	-------	---

### Application

-
---

### Driveline data

X	1 3/8" Z6 DIN 9611
Y	1 3/8" Z6 DIN 9611
E	685-26.97"
I	700-27.56"
P	620-24.41"

### Overlap

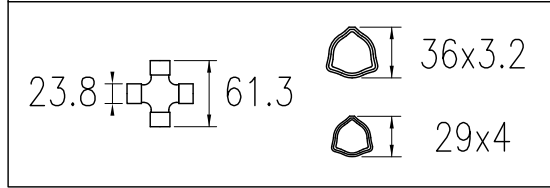
	Steel tubes	Guard
Max.	665-26.18"	600-23.62"
Min.	218-8.58"	153-6.02"

### Greasing point

1)	-
2)	-

The dimensioning is cross to cross

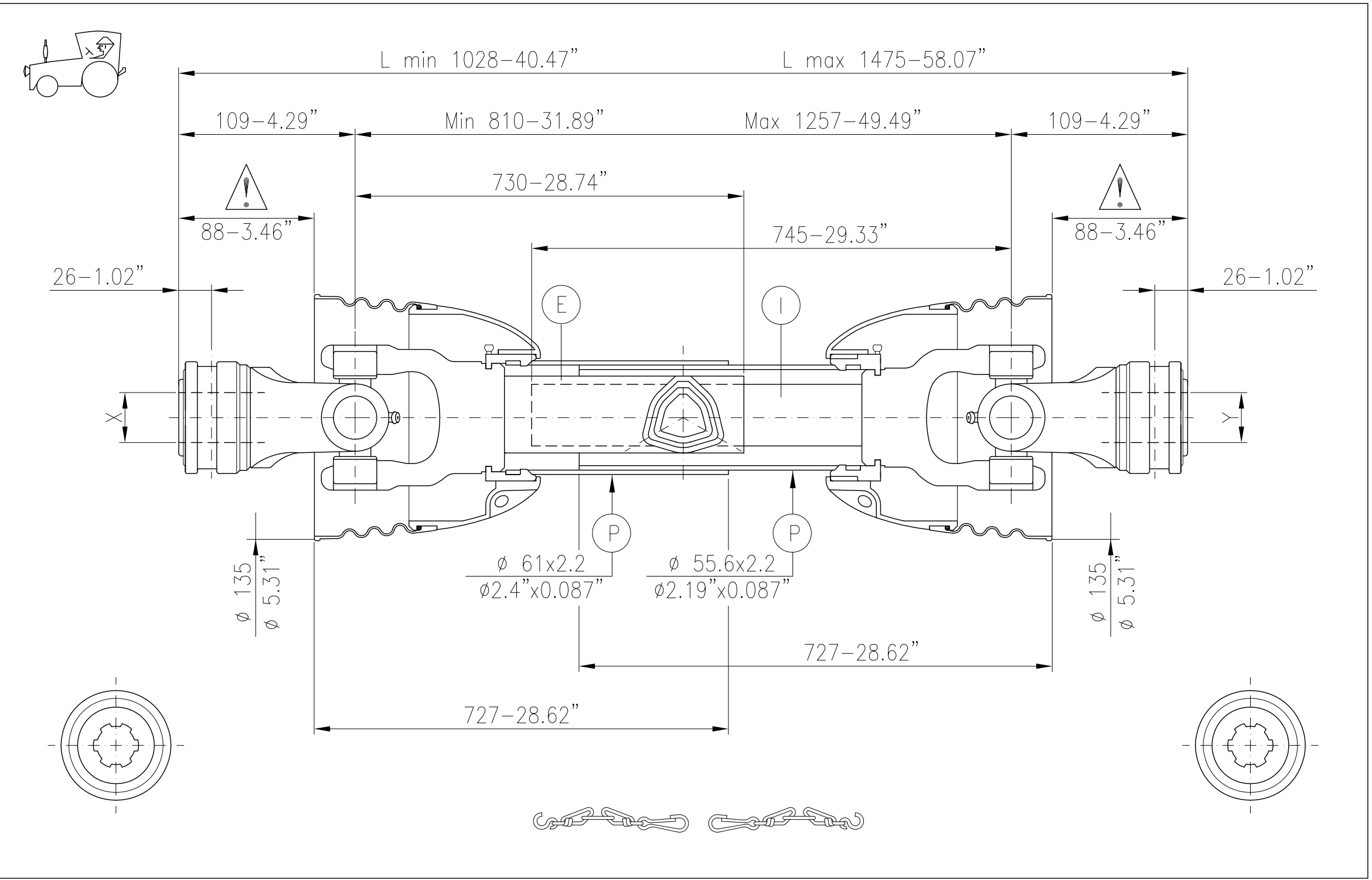
### Cross and tubes



End fittings		Max. torque
Tractor	Cod: C12	-
Implement	Cod: C12	-

Notes:  
 CERTIFIED

**Warning !**  
 Sections of driveline marked are not shielded and must be shielded by an interactive guarding system.  
 COMER spa declines responsibility if proper guards are not provided or maintained.



### Data 540 r.p.m.

KW	CV	Nm.	in.lb.
15	21	270	2400

### Data 1000 r.p.m.

KW	CV	Nm.	in.lb.
23	31	220	1950

1100 min.<sup>-1</sup>  
 r.p.m. max.

### Data for only critical velocity

540 r.p.m.		1000 r.p.m.	
Max.	-	Max.	-
L max.	-	L max.	-

Continuous operation data and conditions, working angle 5°, average life 1000 hours

Checked: \_\_\_\_\_ Signed by: A.Sa.

Customer: \_\_\_\_\_  
 Date: 28-08-20